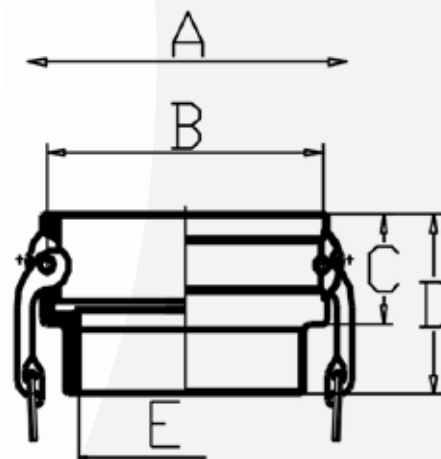


## Camlock Fittings: Snaplock & EcoCam Dimensions Couplers

Part B Dimensions (mm)

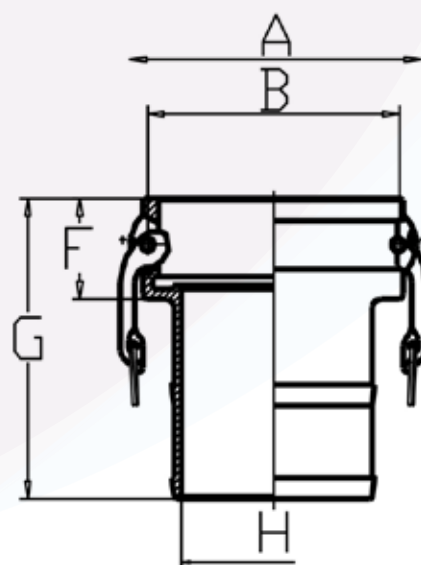
Camlock Size	A	B	C	D	E
1/2"	101.2	32	28	43	14.1
3/4"	120.46	41.2	32	48	19
1"	125.26	46	37.3	56.9	25.2
1 1/4"	184.2	56.25	43	63.5	32.7
1 1/2"	191.5	63	43.4	63.9	38.6
2"	201.1	75	50.5	74	49.85
2 1/2"	229.72	87.2	52	83	63.2
3"	257.6	102.5	53.5	86	77.1
4"	276.4	131.31	56.8	93.3	101.7
5"	369.1	162	58.5	97.5	127
6"	406	194	61.5	105	152
8"	455.6	254	68.4	118.4	190



Part B Camlock

Part C Dimensions (mm)

Camlock Size	A	B	F	G	H
1/2"	101.2	32	28	62.6	8
3/4"	120.46	41.2	32	84	14.2
1"	125.26	46	37.3	93.3	20.8
1 1/4"	184.2	56.25	43	99	26.5
1 1/2"	191.5	63	43.4	104.4	31.75
2"	201.1	75	50.5	120.35	44
2 1/2"	229.72	87.2	52	132	57
3"	257.6	102.5	53.5	154.5	68.8
4"	276.4	131.31	56.8	162.8	93.2
5"	369.1	162	58.5	177.1	118.9
6"	406	194	62.1	233.1	144.4
8"	455.6	254	68.4	248.4	190



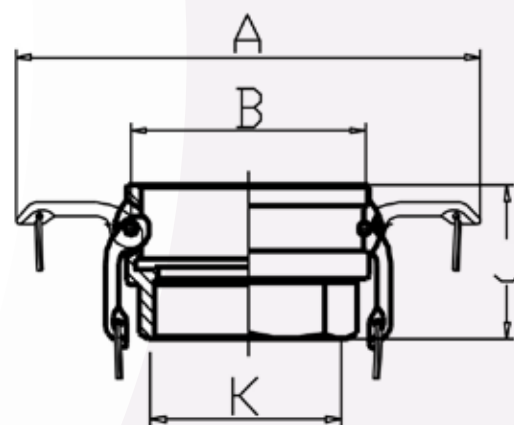
Part C Camlock

*All dimensions are supplied as an approximate and may be subject to slight variations*

## Camlock Fittings: Snaplock & EcoCam Dimensions Couplers

Part D Dimensions (mm)

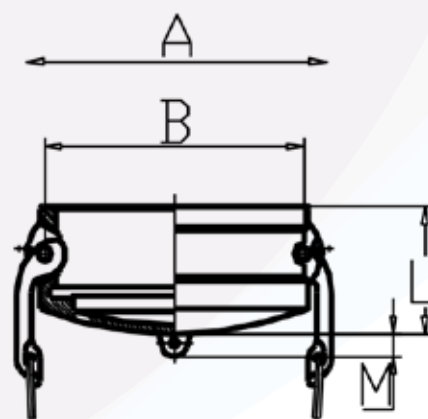
Camlock Size	A	B	J	K
1/2"	101.2	32	42.5	25.4
3/4"	120.46	41.2	48	31.4
1"	125.26	46	56.7	38
1 1/4"	184.2	56.25	63.5	47
1 1/2"	191.5	63	63.9	54.3
2"	201.1	75	72	67.3
2 1/2"	229.72	87.2	80	80.4
3"	257.6	102.5	82.5	95
4"	276.4	131.31	94.3	122
5"	369.1	162	92.7	148.5
6"	406	194	99.1	176.4
8"	455.6	254	120.4	247



Part D Camlock

Part DC Dimensions (mm)

Camlock Size	A	B	L	M
1/2"	101.2	32	29	8
3/4"	120.46	41.2	33	8
1"	125.26	46	38.5	8
1 1/4"	184.2	56.25	45	8
1 1/2"	191.5	63	45.4	9
2"	201.1	75	52.5	9
2 1/2"	229.72	87.2	54	10
3"	257.6	102.5	56	11
4"	276.4	131.31	60	11
5"	369.1	162	60	11
6"	406	194	65.1	12
8"	455.6	254	83.2	14



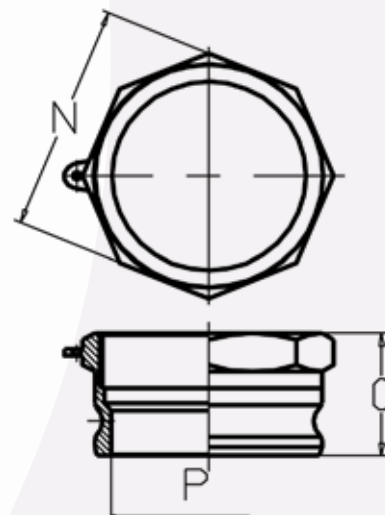
Part DC Camlock

*All dimensions are supplied as an approximate and may be subject to slight variations*

## Camlock Fittings: Snaplock & EcoCam Dimensions Adapters

Part A Dimensions (mm)

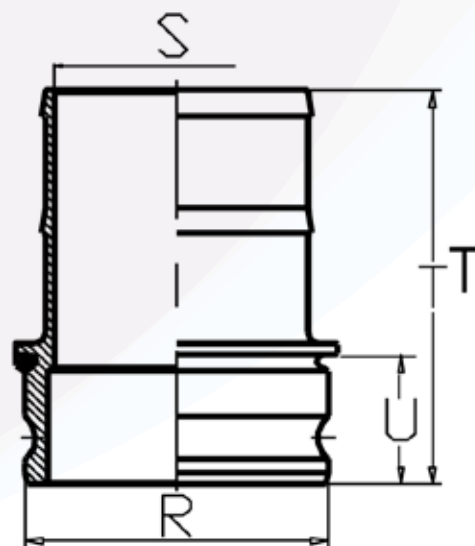
Camlock Size	N	O	P
1/2"	25.4	39.9	13.8
3/4"	32.5	43	21.6
1"	38	48.23	24.6
1 1/4"	47	54.12	29.5
1 1/2"	54.3	55.85	37
2"	67.3	62.2	46.25
2 1/2"	80.4	86.28	58.5
3"	96	69.8	75
4"	122	76.78	101.2
5"	148.5	80.4	126.5
6"	195	82.55	152.5
8"	246	87.9	190



Part A Camlock

Part E Dimension (mm)

Camlock Size	R	S	T	U
1/2"	23.84	8	72	25.4
3/4"	32.1	14.2	92.5	28.5
1"	36.73	20.8	101.5	33.53
1 1/4"	45.52	26.6	107.62	39.62
1 1/2"	53.47	31.75	114.15	41.15
2"	63.09	44	129.35	47.5
2 1/2"	75.8	57	142.28	49.28
3"	91.54	68.8	164.8	50.8
4"	119.58	93.2	171.58	52.58
5"	145.6	118.9	186.6	55
6"	175.93	144.4	234.15	57.15
8"	226.67	188	243.6	65.15



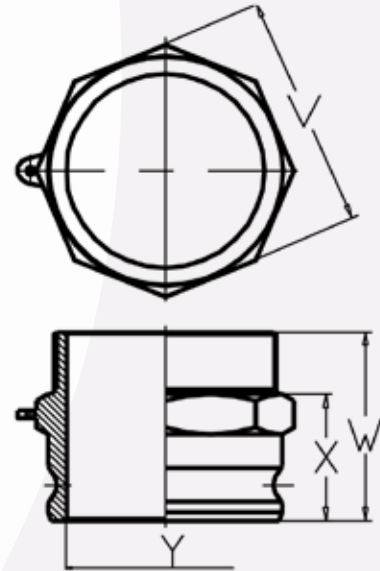
Part E Camlock

*All dimensions are supplied as an approximate and may be subject to slight variations*

## Camlock Fittings: Snaplock & EcoCam Dimensions

Part F Dimension (mm)

Camlock Size	V	W	X	Y
1/2"	25.4	54.9	39.9	13.8
3/4"	32.5	59	43	21.6
1"	37.75	67.83	48.23	24.6
1 1/4"	47.5	74.62	54.12	29.5
1 1/2"	55	76.35	55.85	37
2"	66.8	85.7	62.2	49.85
2 1/2"	80.4	99.28	68.28	58.5
3"	96	102.3	69.8	75
4"	122	111.48	74.98	101.2
5"	148.5	119.4	80.4	126.5
6"	195	126.55	83.05	152.5
8"	246	132.9	82.9	190



Part F Camlock

Part DP Dimension (mm)

Camlock Size	Z	AA
1/2"	8	26
3/4"	8	29.5
1"	8	34.7
1 1/4"	8	41.6
1 1/2"	9	43.15
2"	9	49.5
2 1/2"	10	51.28
3"	11	53.8
4"	11	56
5"	11	57
6"	12	59.5
8"	14	68.8



Part DP Camlock

*All dimensions are supplied as an approximate and may be subject to slight variations*